

## Machine light series cylindrical

LED machine lights, M8-M18, white light, 10-30V DC, M8, M12-connector or cable, IP65 to IP67

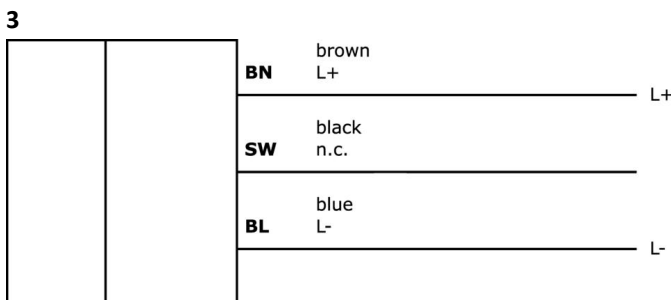
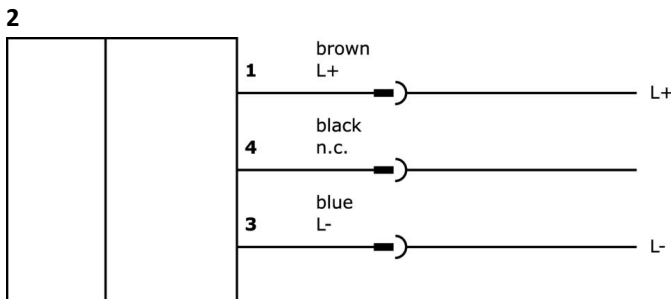
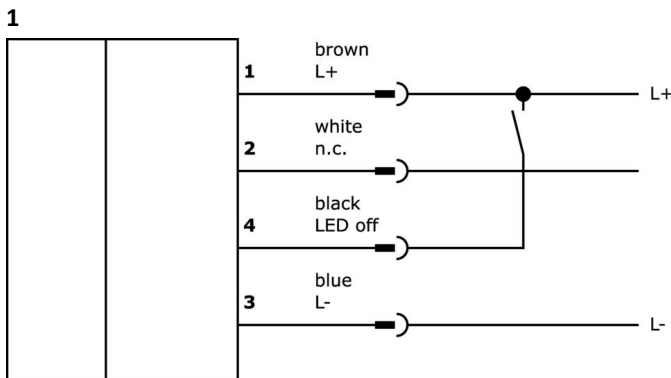


The lights can be used in confined installation situations. Various diameters (M8, M12 and M18) are available. The lights are fastened via the outside thread of the stainless steel housing using lock nuts. Various connection options (M8 or M12-connector or cable variants) with different beam angles and illuminances make it possible to create the right lighting conditions for any required application.

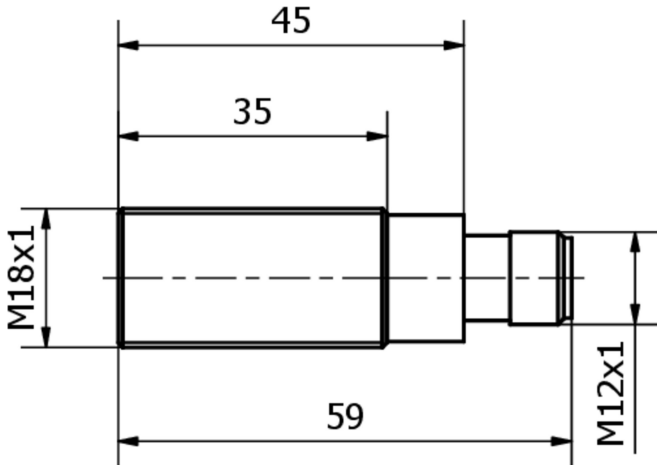
Article No.	AO000188	AO000189	AO000280
ardSOCA_Abmessungen	M18x1, 59mm long	M18x1, 59mm long	M8x1, 61mm long
ardSOCA_Betriebsspannung	10-30VDC		
Rated operating current	27 mA	38 mA	3 mA
Housing material	Stainless steel (V2A)	Stainless steel (V4A)	Stainless steel (V4A)
Ambient temperature	-20 - 50 °C		
ardSOCA_ElektrischerAnschluss	M12 4-pin plug connector	M12 4-pin plug connector	M8 3-pin plug connector

Article No.	AO000527	EM120100	EM120101
ardSOCA_Abmessungen	M12x1, 50mm long		
ardSOCA_Betriebsspannung	10-30VDC		
Rated operating current	35 mA		
Housing material	Stainless steel 1.4305		
Ambient temperature	-20 - 50 °C		
ardSOCA_ElektrischerAnschluss	Cable tail 3-wire 0.5m	Cable tail 3-core 1.15m	3-wire cable tail 3m

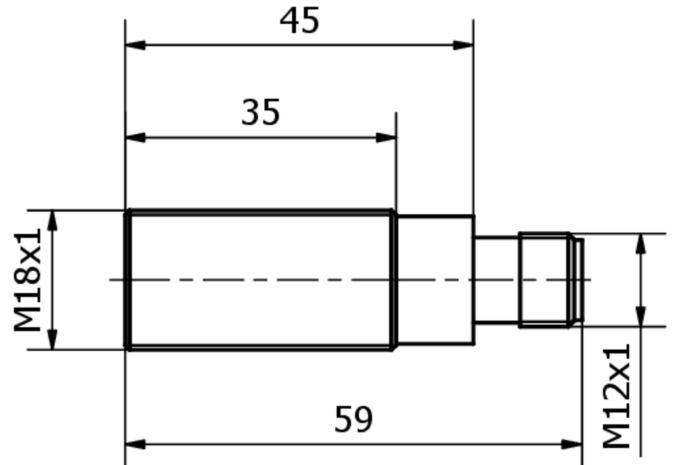
Article No.	<b>AO000291</b>	<b>AO000487</b>	<b>AO000492</b>
			
ardSOCA_Abmessungen	M18x1, 59mm long	M12x1, 47mm long	M18x1, 59mm long
ardSOCA_Betriebsspannung	15-30VDC	10-30VDC	15-30VDC
Rated operating current	80 mA	36 mA	80 mA
Housing material	Stainless steel 1.4305		
Ambient temperature	-20 - 50 °C		
ardSOCA_ElektrischerAnschluss	M12 4-pin plug connector		



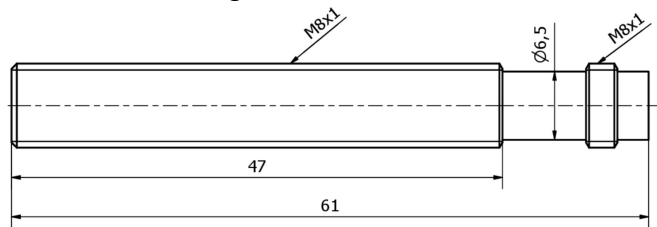
**Dimensional drawing AO000188**



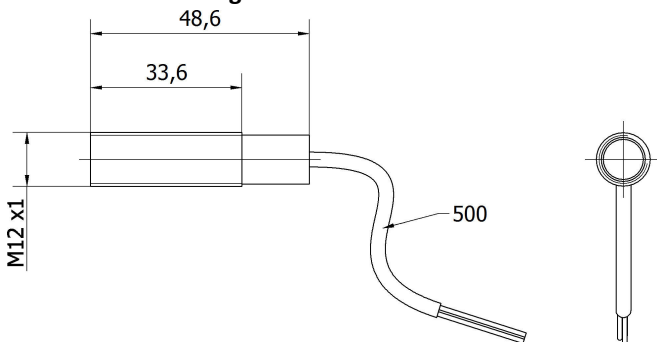
**Dimensional drawing AO000189**



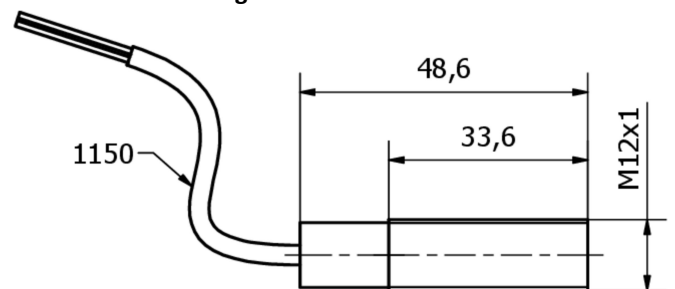
**Dimensional drawing AO000280**



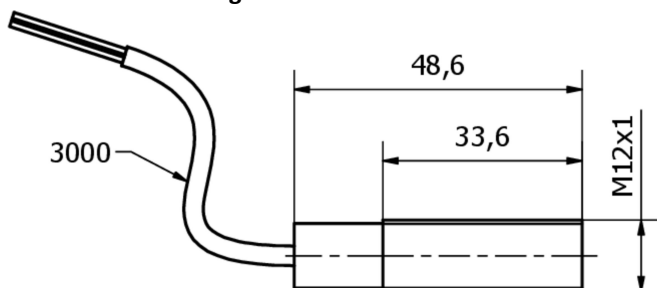
**Dimensional drawing AO000527**



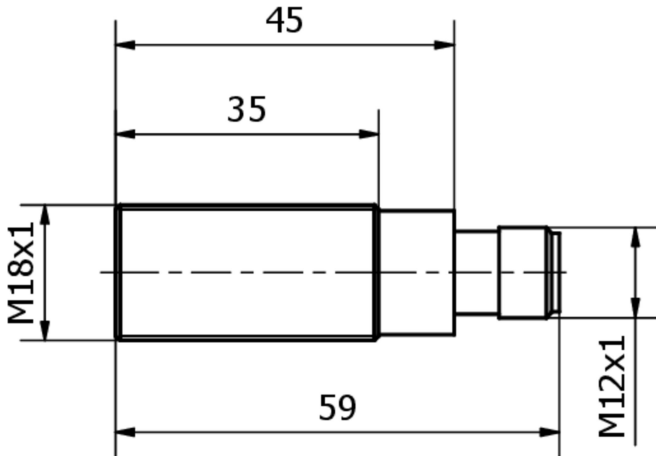
**Dimensional drawing EM120100**



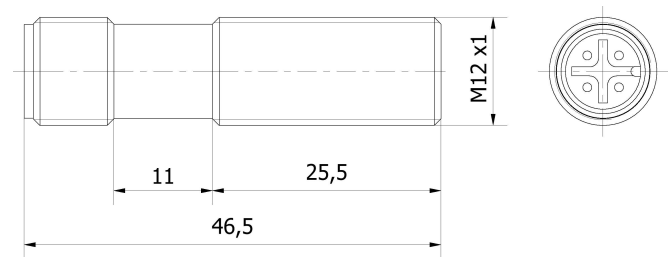
**Dimensional drawing EM120101**



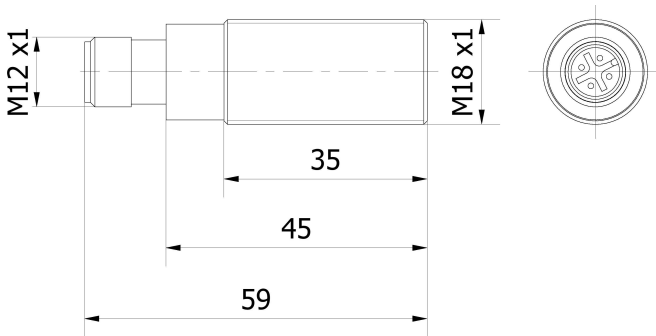
**Dimensional drawing AO000291**



**Dimensional drawing AO000487**



**Dimensional drawing AO000492**



**Extract accessories program**

**VK000037**



Adaption, M12 Female (socket) 3pin Straight, M8 Male (connector) 3pin Straight, 24V, -25-85°C, IP67, Oil and cooling lubricants, Welding area

**VK003021**



Cable socket, Angular, Suitable for self-assembly, Screw connection, Ø3-6.5mm, 4A, 60V, -25-90°C, M12 Female (socket) 5pin, IP67, PBT

**VK003025**



Cable socket, Straight, Suitable for self-assembly, Screw connection, Ø3-6.5mm, 4A, 60V, -25-90°C, M12 Female (socket) 5pin, IP67, PBT

**VK003020**



Cable socket, angular, self-assembly, screw connection, Ø3-6.5mm, 4A, 240V, -25-90°C, M12 socket 4-pin, IP67, PBT

**VK003024**



Cable socket, Straight, Suitable for self-assembly, Screw connection, Ø3-6.5mm, 4A, 240V, -25-90°C, M12 Female (socket) 4pin, IP67, PBT

**VK030F60**



Connection cable, 0.3m, M12 socket 3-pin angular, M8 connector 3-pin straight, 3x0.34mm², PUR (polyurethane), 60V, IP67, suitable for trailing chain and torsion resistant, oils and cooling lubricants, welding area, silicone-free

**VK030F64**



Connection cable, 0.3m, M12 socket 3-pin straight, M8 connector 3-pin straight, 3x0.34mm², PUR (polyurethane), 60V, IP67, suitable for trailing chain and torsion resistant, oils and cooling lubricants, welding area, silicone-free

**VK200021**



Connection cable, 2m, M12 Female (socket) 3pin Angular, Free conductor end, 3x0.34mm², PUR (Polyurethane), Ø4.3mm, 250V, -30-90°C, IP67, Suitable for trailing chain and torsion resistant, Oil and cooling lubricants, Welding area, Silicone-free

**VK200025**



Connection cable, 2m, M12 Female (socket) 3pin Straight, Free conductor end, 3x0.34mm², PUR (Polyurethane), Ø4.3mm, 250V, -30-90°C, IP67, Suitable for trailing chain and torsion resistant, Oil and cooling lubricants, Welding area, Silicone-free

You can find further accessories on our homepage



**Installation**

Mounting / installation may only be carried out by a qualified electrician!



**Disposal**

WEEE number according to § 6 para. 3 ElektroG: 40951076

**Safety warnings**

/ Before initial operation, please make sure to follow all safety instructions that may be provided in the product information.

/ Never use these devices in applications where the safety of a person depends on their functionality.

/ LED lighting systems can generate intensive UV radiation, which can damage your eyes in case of improper use. The manufacturer cannot be held responsible for damages that result from improper use or connection.